



Model: SC-200 (230v models)

Electric Woodchip-Burning Stationary Rack Smoker

Approximate Smoker Capacities

(Capacities will vary based on physical shape, weight, and method of loading for each product specified.)

Pork Butts (8-10 lbs)(3.6 - 4.5 kg) each.....30 pieces

St. Louis Ribs (2.75 lbs)(1.2 kg) each.....25 pieces

w/Optional vertical rib racks.....65 pieces

Whole Chicken (3-4 lbs)(1.4 - 1.8 kg) each....40 pieces

Beef Brisket (12-15 lbs)(5.4 - 6.8 kg) each.....10 pieces



(5) rack slides, 5" (127mm) spacing
16.25 ft² (1.51m²) cooking surface



Standard Features:

- Stainless steel construction; exterior and interior.
- Mineral wool insulated cabinet.
- (2) locking casters (front) and (2) non-locking casters (rear).
- 2" (51mm) flue with variable sized drop-in flue damper.
- Convection fan with 8" (203mm) blower wheel.
- Control with a digital cook and hold thermostat ((80° to 325°F)(27° to 163°C), allows for selection of cook temperature, cook time, and hold temperature).
- 2 1/2" (64mm) grease drain pan.
- (5) 18" x 26" (457 x 660mm) nickel chrome plated product racks (see illustration above).
- Dual woodchip boxes.

Optional Features:

- Right hand door hinge.
- Internal meat probe system. Allows the control to be programmed to cook until the internal temperature of the product reaches the set temperature.
- Stainless steel product racks.
- (5) vertical rib racks. Replaces the standard product racks. Each vertical rib rack holds 13 slabs of ribs for a total capacity of 65 slabs of ribs.
- Stainless steel vertical rib racks.

Southern Pride Distributing, LLC
 401 S Mill St
 Alamo, TN 38001
 Phone: 731.696.3175
 Fax: 731.696.3180
 www.southernpride.com

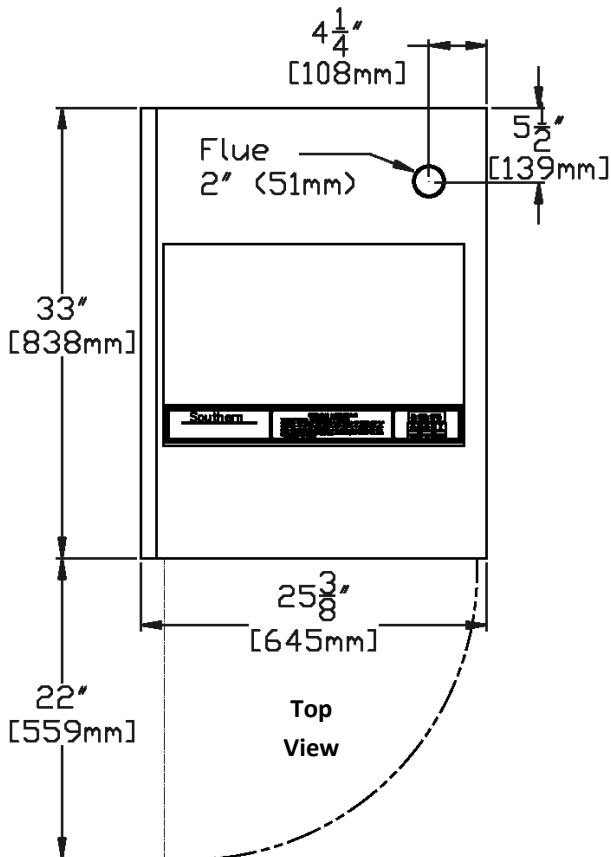
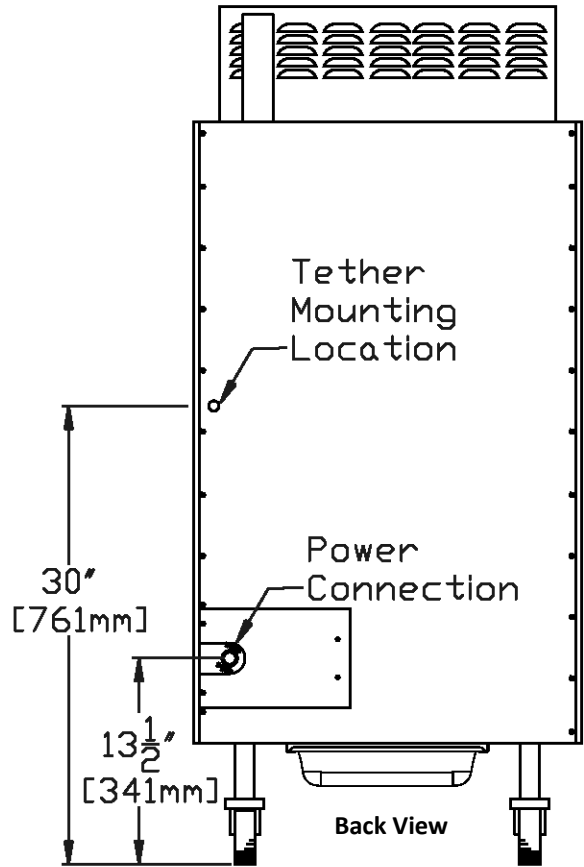
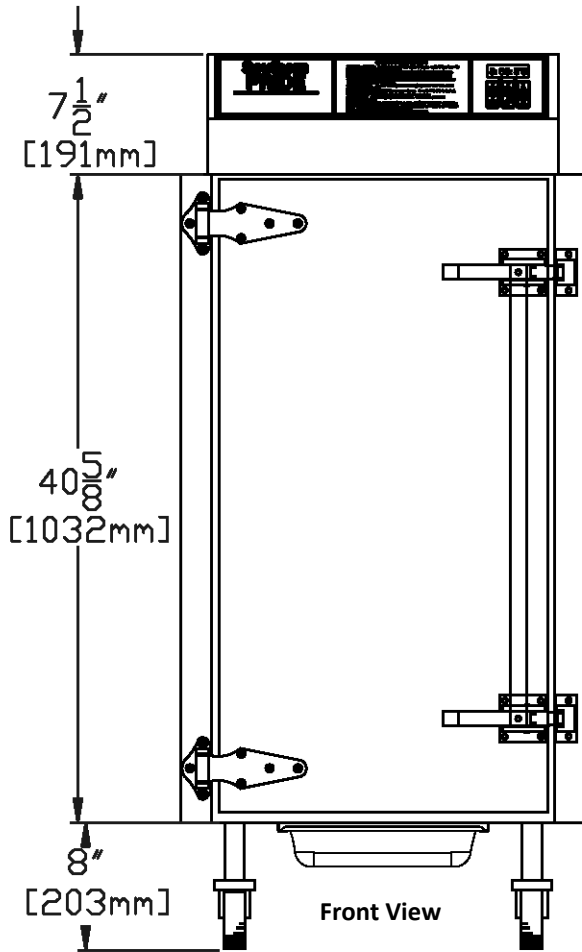
REVISED: September 2016

An ongoing program of product improvement may require us to change specifications without notice.

© 2016 Southern Pride Distributing, LLC

Model: SC-200 (230v models)

Electric Woodchip-Burning Stationary Rack Smoker



Standard leg locations (center to center) -
19 5/8"W x 25 3/8"D (498 x 645mm)

REQUIREMENTS

ELECTRICAL

230 volt AC

50 hertz, 3 wire (plus ground), 1-phase, 30 amp wiring required

Electrical cord and plug not provided

VENTILATION

The smoker must be vented in accordance with the Owner's Manual and the installation must comply with all relevant local and national codes and in a manner acceptable to the authority having jurisdiction.

SHIPPING (crated) - 500 lbs (227 kg), Class 100

65"H x 50"W x 28"D (1651 x 1270 x 711mm)