

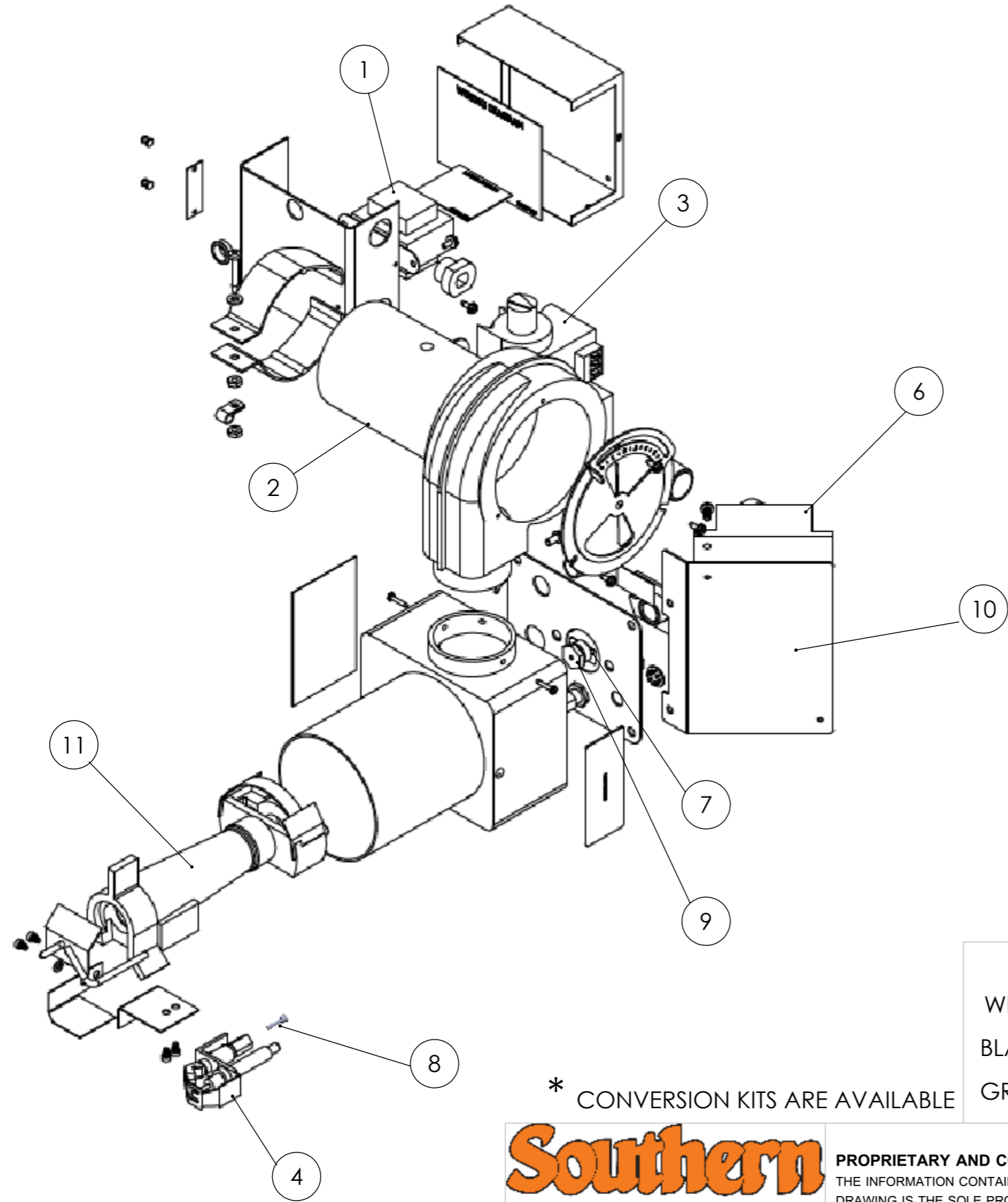
8 7 6 5 4 3 2 1

PARTS LIST			
ITEM	PART NUMBER	DESCRIPTION	QTY
1	582005	24v TRANSFORMER	1
2	582008	BLOWER MOTOR	1
3	582010	NAT GAS VALVE OR	1
	582016	LP GAS VALVE	1
4	582011	NAT IGNITION ELECTRODE OR	1
	582015	LP IGNITION ELECTRODE	1
5	582012	HIGH VOLTAGE LEAD (NOT SHOWN)	1
6	582019	IGNITION CONTROL MODULE	1
7	582026	MAIN ORIFICE MOUNTING FLANGE	1
10	582032	WIRE LEADS AND MOUNTING BRACKET	1
11	582030	VENTURI ASSEMBLY WITH FLAME SPREADER	1

8 PILOT ORIFICE SIZE CHART	
NATURAL	BCR-24
LP	BCR-18

9 MAIN ORIFICE SIZE CHART		
65,000 BTU-HR	NATURAL GAS	#26 (.147")
65,000 BTU/HR	LP GAS	#43 (.089")
125,000 BTU/HR	NATURAL GAS	#5 (.205")
125,000 BTU/HR	LP GAS	1/8" (.125")

FIRING CAPACITY		
FIRING RATE BTU/HR KW	65,000 19	125,000 37
ROLLTISSERIE / MLR-150 / SRG-400	X	
MLR-850		X



120v WIRING

WHITE —•— WHITE/ORANGE
 BLACK —•— ORANGE
 GREEN —•— GREEN

* CONVERSION KITS ARE AVAILABLE

TITLE: **120v P265 BURNER EXPLODED VIEW**

ASSEMBLIES:
 594005 - 65,000 BTU **NAT** (594039 MIRROR IMAGE)
 594006 - 65,000 BTU **LP** (594040 MIRROR IMAGE)
 594033 - 125,000 BTU **NAT** (594041 MIRROR IMAGE)
 594034 - 125,000 BTU **LP** (594042 MIRROR IMAGE)



PROPRIETARY AND CONFIDENTIAL
 THE INFORMATION CONTAINED IN THIS DRAWING IS THE SOLE PROPERTY OF SOUTHERN PRIDE DISTRIBUTING, LLC. ANY REPRODUCTION IN PART OR AS A WHOLE WITHOUT THE WRITTEN PERMISSION OF SOUTHERN PRIDE DISTRIBUTING, LLC IS PROHIBITED

Southern Pride Distributing, LLC
 401 S. Mill Street
 Alamo, TN 38001
 Ph: 731-696-3175
 Fax: 731-696-3180

MODELS: ROLLTISSERIE S/N: ALL
 MLR-150 S/N: ALL
 SRG-400 S/N: ALL
 MLR-850 S/N: ALL

MATERIAL:	SIZE A3	DWG NO. SPEXpl-B001	REV 1
FINISH:	DO NOT SCALE DRAWING	SCALE: 1:1	DRAWN BY: DAVE LEWSADER
		DATE: 12/30/2019	SHEET 1 OF 1

8 7 6 5 4 3 2 1