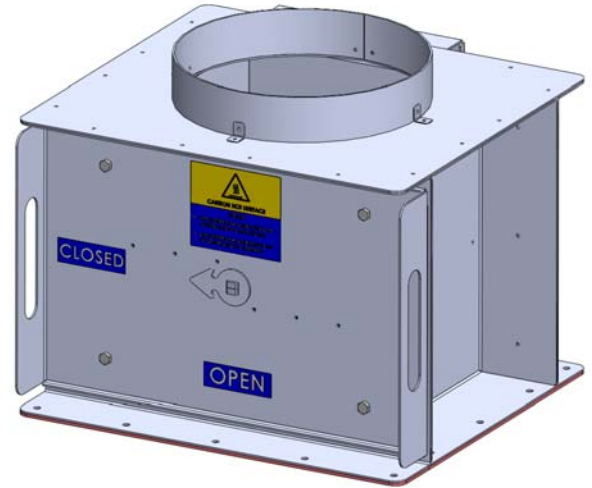


Products: Smoke Extractor Assembly
Serial Range: N/A
Release Date: February 2018

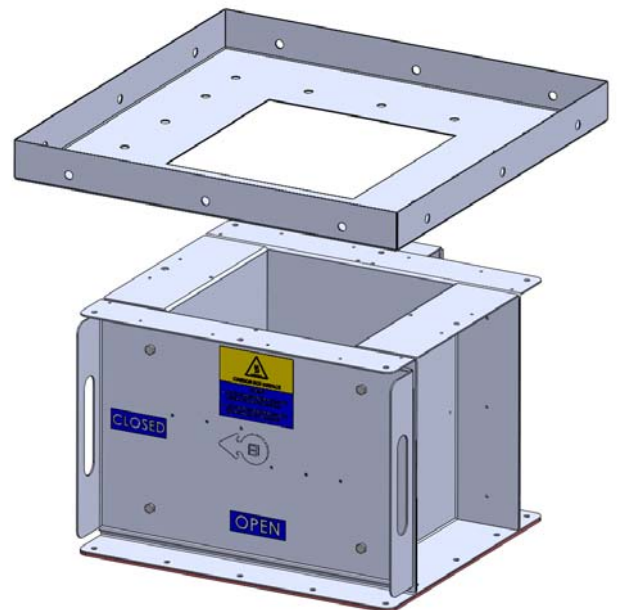
Smoke Extractor Assembly

The construction of the smoke extractor assembly will slightly change with the body of the smoke extractor being constructed with rivets instead of bolts. By replacing the bolts with rivets the damper door can be more easily removed without having to work around the inserts hanging down from the top adaptor plate. Also, the metal Open and Close indicators that were attached to the damper door with silicone will be replaced with Open and Close stickers that are more visible. Finally, a new sticker will be placed on the damper door cautioning users that the door is hot and reminding them to clean the damper regularly and that the damper must be in the open position for removal.



Mobile Evacuation System with Smoke Extractor Assembly

When a mobile evacuation system is being installed on top of the smoke extractor, the top adaptor plate of the smoke extractor is replaced with a curb for the fan. The adaptor plate of the smoke extractor is attached to the body with rivets, but the body of the smoke extractor still has bolt holes so that once the adaptor plate is removed, the curb for the fan can be attached with bolts. If installing the curb in the field, the following hardware is recommended:



| Stock Code | Description | Quantity |
|------------|--------------------------------|----------|
| 712009 | 1/4-20 x 3/4" SS Hex Head Bolt | 8 |
| 732501 | 1/4" SS Flat Washer | 16 |
| 732502 | 1/4" SS Split Lock Washer | 8 |

Additional Comments:

The dimensions of the smoke extractor assembly remain the same except for the height of the assembly which increases 3/8" due to the adaptor ring on the top of the assembly increasing 1/4" in height.

The smoke extractor assembly will continue to use the same actuator and coupler and details of the assembly can be found on exploded views SPEXpl-V002 (120v smokers) or SPEXple-V003 (230v smokers).

The damper door will still be removed from the smoke extractor cabinet via four 1/4-20 bolts.

Secondary Distribution:

Service technicians within the Distributor's organization.

Service companies.

For Additional Information:

Southern Pride Technical Support: (800) 437-2679