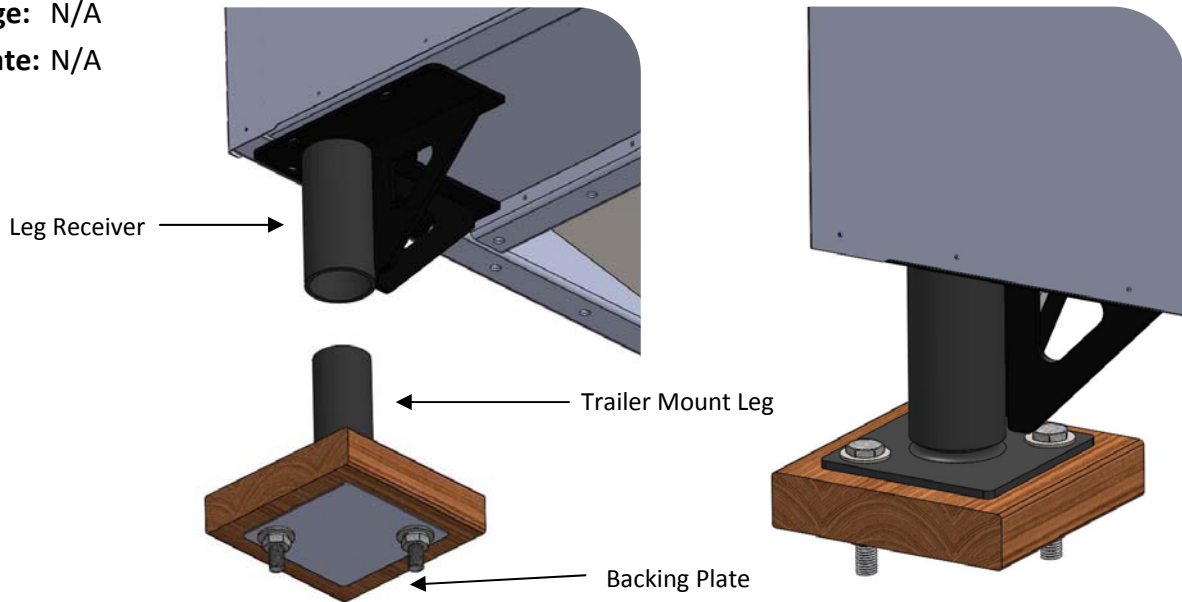


Products: Trailer Mount Legs
Serial Range: N/A
Release Date: N/A



Trailer Mount Legs

Trailer mount legs are available for gas smokers with 2" pipe leg receivers and the SRG-400. The trailer mount legs replace the existing legs on the smoker, or the casters on the SRG-400. The trailer mount leg consists of a pipe leg and a 6" x 6" (152 x 152mm) trailer mounting plate. Also available is a 6" x 6" (152 x 152mm) backing plate (for use when installing on a wood deck trailer). The normal trailer mount leg will position the smoker 6" (152mm) from the trailer deck to the bottom of the smoker. Working height trailer mount legs are available for all models except for the SRG-400, MLR-850, and SPK-1400, and will position the smoker 19" (483mm) from the trailer deck to the bottom of the smoker.

Stock Code	Description	Stock Code	Description
297008	Trailer Mount Leg	716001	1/2-13 x 2.5" Hex Head SS Bolt *
297010	Working Height Trailer Mount Leg	734502	1/2" Flat SS Washer
297006	MLR-850/SPK-1400 Trailer Mount Leg	734503	1/2" Split Lock SS Washer
297032	SRG-400 Trailer Mount Leg	744505	1/2-13 SS Nut
271004	Backing Plate		

* Length of bolt required would depend on trailer deck thickness.

Sold individually, 4 required per smoker

Additional Comments:

Leg Receivers

Stock Code	Description	Qty per Smoker
297019	2" Leg Receiver - SPX-300, SPK-500, SP-700, SPK-1000	4
297036	2" Leg Receiver - MLR-150	2
297037	2" Leg Receiver - MLR-850	2
297033	2" Leg Receiver - SPK-1400 (starting with K14A0001)	4

Sold individually



When installing a smoker on a trailer the trailer's gross vehicle weight rating (GVWR) should be sufficient for the weight of the smoker and all ancillary items placed on the trailer. The deck of the trailer should be adequate to support the smoker legs, preferably with the smoker legs positioned above a crossmember of the trailer's frame. **Consideration should be given to the weight distribution of the smoker on the trailer so that an unstable and unsafe condition is not created. Both set screws in each leg receiver should be tightened and frequently checked to ensure tightness.**

Secondary Distribution:

Service technicians within the Distributor's organization.
Service companies.

For Additional Information:

Southern Pride Technical Support: (800) 437-2679